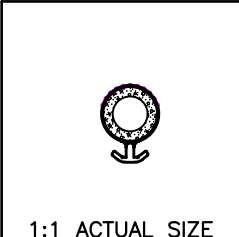
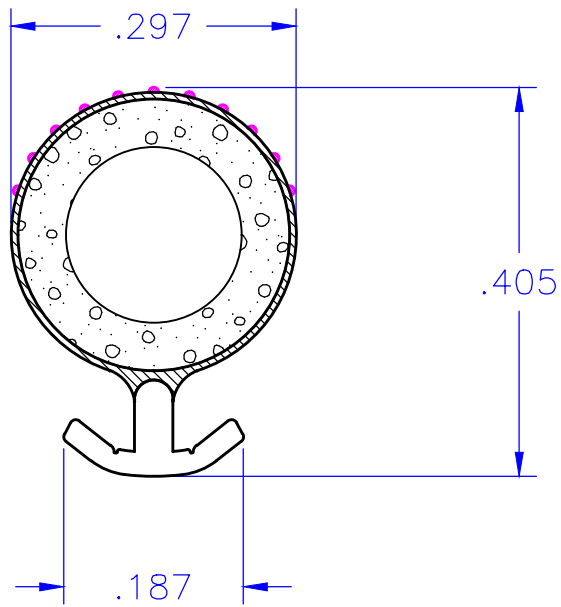


REV	DESCRIPTION	DATE	ECO#	BY
A	ORIGINAL AS DRAWN	2/9/22	N/A	BER



REFER TO CAD DRAWING FOR ALL DIMENSIONS NOT FULLY CONSTRAINED.

1:1 ACTUAL SIZE



XC-1924

INTERPRET PER:
ASME Y14.5M-2009

UNITS: INCH

TOLERANCE UNLESS
OTHERWISE SPECIFIED

DRAWING TITLE:

- CUSTOMER PAGE -

DRAWN BY: **BER**

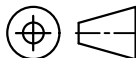
CHECKED BY: _____

SCALE: **5:1**

SHEET: **1 OF 1**

THE INFORMATION CONTAINED IN THIS
DRAWING IS CONFIDENTIAL AND
PROPRIETARY. THIS DRAWING IS NOT TO
BE COPIED OR REPRODUCED IN WHOLE
OR IN PART WITHOUT EXPRESS WRITTEN
CONSENT.

THIRD ANGLE
PROJECTION



KC CRITICAL
DIMENSIONS

CAD TYPE:
AUTOCAD

SIZE:
A

DRAWING #:
32442

REV:
0

